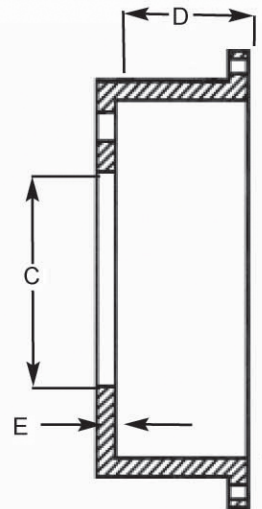
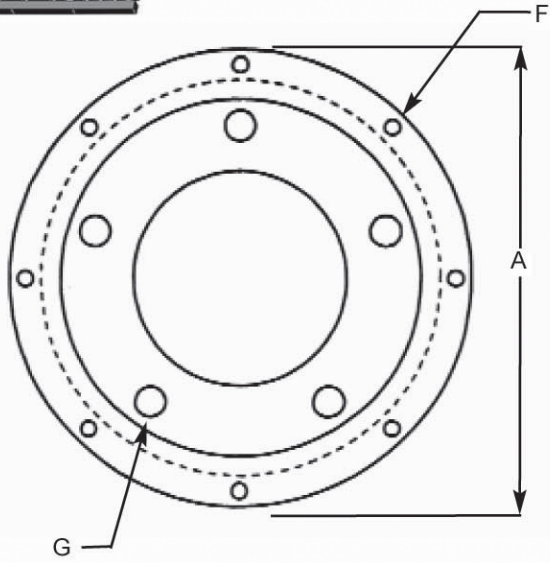




CUSTOM ROTOR HAT SPEC SHEET



SIZES NEEDED FOR CUSTOM HATS

- A= _____ Maximum Outside Diameter for Caliper Clearance.
- B= _____ Minimum Diameter to Fit Over Hub.
- C= _____ Center Bore Diameter
- D= _____ Actual Offset
- E= _____ Face Thickness
- F= _____ Number Of Holes
- F= _____ Size Of Holes
- F= _____ Bolt Circle Center
- G= _____ Number Of Holes
- G= _____ Size Of Holes
- G= _____ Bolt Circle Center

Approved By: _____
 Date: _____

These custom rotor hats are machined to your specifications. When measuring for custom hats please be as accurate as possible with your dimensions and also provide tolerances for each dimension. If you can not supply Coleman with sizes you may send us a sample and we will draw a blueprint from the sample and send it to you for your approval. We can not make custom hats with sizes supplied over the phone. All custom hat sheets must be signed and dated by the purchaser or person supplying the sizes. Coleman Machine, Inc. is not responsible for any failure of custom hats due to improper fit, improper tolerances or any problems encountered with the sizes or design of the finished part when machined to customers specifications.